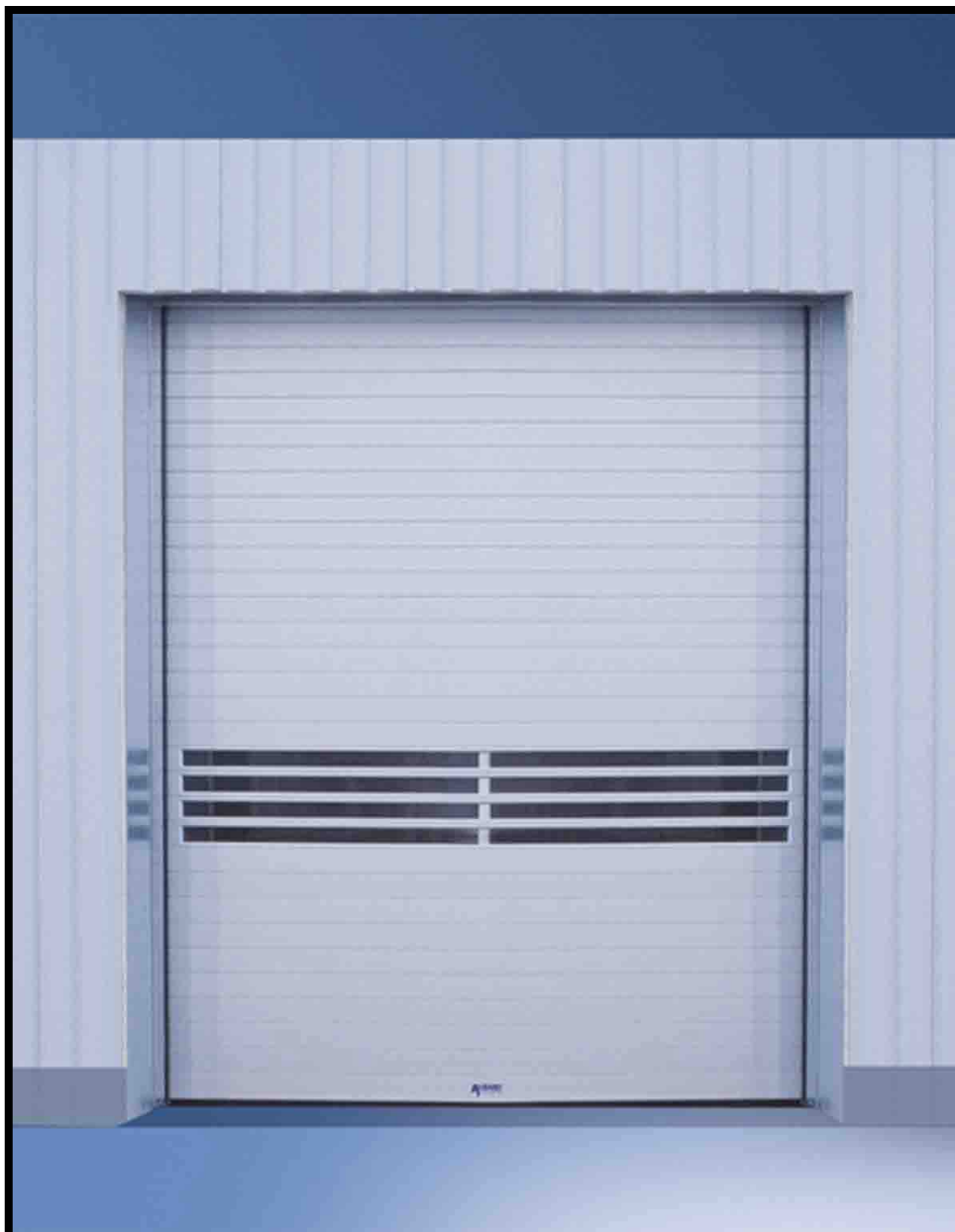
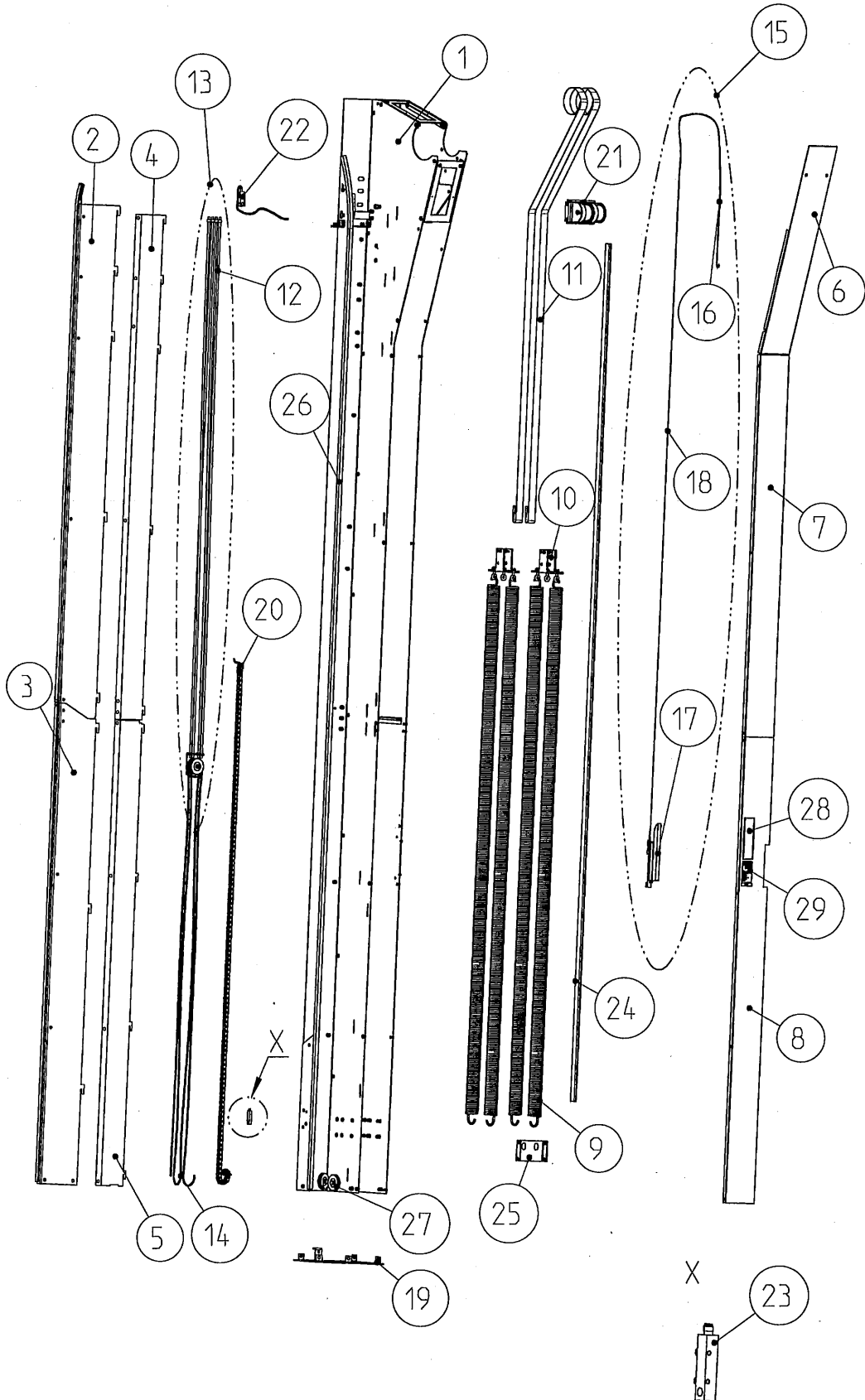


Spare part price list
RR 3000



valid from 04-07-01

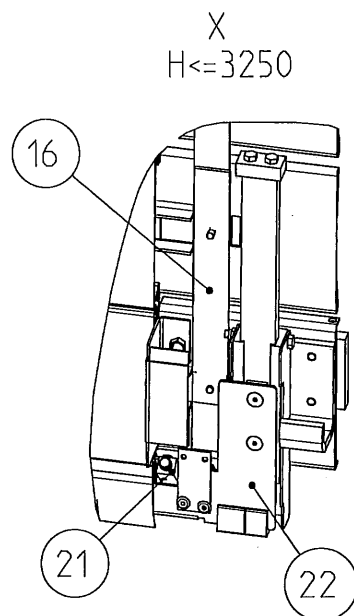
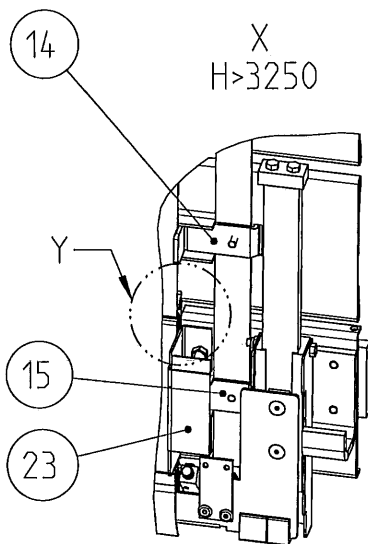
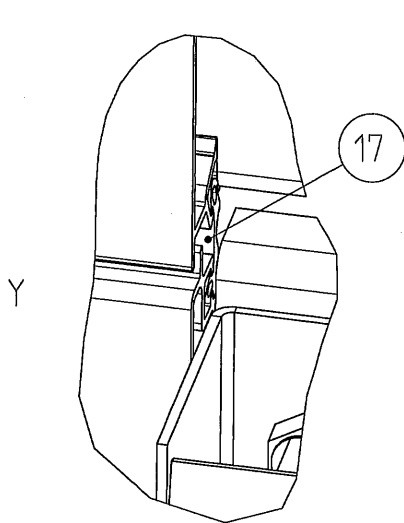
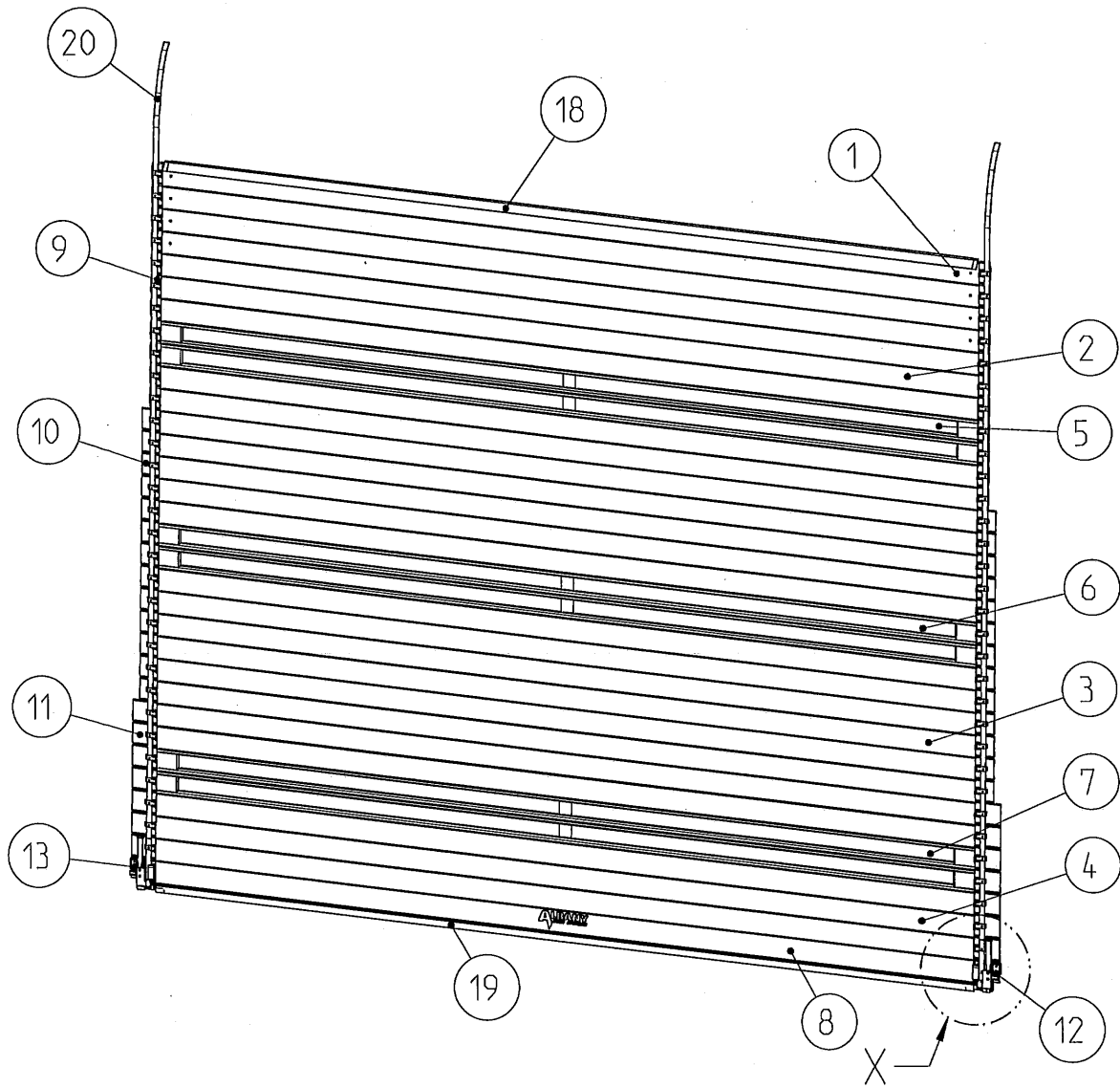


Pos. Item	Description	Bemerkung Note	gültig ab ▲ gültig bis ▼ valid from ▲ valid to ▼	Art.-Nr. Item-No	Delivery time class			Einheit Unit	Anzahl pro Tor Quantity per door	Verschleißteil part / Slitdetailje	Wear
I	Side frame right Side frame left (mirror image)										
1	Column RH cpl			8220RG215	C			Stck./pc.	1		
	Column LH cpl			8220RG216	C			Stck./pc.	1		
2	Guide cover top RH			4521RG151	B			Stck./pc.	1		
	Guide cover top LH			4521RG152	B			Stck./pc.	1		
3	Guide cover bottom RH			4521R1101	B			Stck./pc.	1		
	Guide cover bottom LH			4521R1102	B			Stck./pc.	1		
4	Corner plate top RH			4521RG149	B			Stck./pc.	1		
	Corner plate top LH			4521RG150	B			Stck./pc.	1		
5	Corner plate bottom RH			4521R1099	B			Stck./pc.	1		
	Corner plate bottom LH			4521R1100	B			Stck./pc.	1		
6	Spring cover top			4521R0957	B			Stck./pc.	2		
7	Spring cover middle			4521RG109	B			Stck./pc.	2		
8	Spring cover bottom (side of bearing)	H>3000		4521R0974	B			Stck./pc.	1		
	Spring cover bottom (side of bearing)	H<=3000		4521RG111	B			Stck./pc.	1		
	Spring cover bottom RH (side of unit)	H>3000		4521R0972	B			Stck./pc.	1		
	Spring cover bottom LH (side of unit)	H>3000		4521R0973	B			Stck./pc.	1		
	Spring cover bottom RH (side of unit)	H<=3000		4521RG113	B			Stck./pc.	1		
	Spring cover bottom LH (side of unit)	H<=3000		4521RG115	B			Stck./pc.	1		
9	Tension spring short L=976mm	H<3000		4802R0009	A			Stck./pc.	max 12	X	
	Tension spring middle L=1397mm	3000<=H<4000		4802R0007	A			Stck./pc.	max 12	X	
	Tension spring long L=2193mm	H>=4000		4802R0008	A			Stck./pc.	max 12	X	
10	Spring suspension top cpl			8220R0050	A			Stck./pc.	4		
11	Belt (blue)	L=3600		5105R0045	A			m	4 pc		
12	Rubber cable curtain tension	L=(H-200)x0,6		5105R0009	A			mm	8 pc		
13	Redirection rope with cable			8120RG046	A			Stck./pc.	2		
14	Rope for curtain tension	L=H+940		5105R0037	A			mm	2 pc		
15	Emergency lever			8220RG218	A			Stck./pc.	1		
16	Bowdenhelix d=2,5	L=800		5006R0006	A			mm	1		
17	Brake lever			5005R0023	A			Stck./pc.	1		
18	Bowdencable d=1,5	L=H+500		5006R0007	A			mm	1		
19	Bottomplate RH			4521R1064	A			Stck./pc.	1		
	Bottomplate LH			4521R1065	A			Stck./pc.	1		
20	Cable Chain cpl	(*)		8520RG002	A			Stck./pc.	2		
21	Belt receptacle			8120R0047	A			Stck./pc.	2		
22	Proximity switch M8 10E Plugconnector			4905R0082	A			Stck./pc.	1		
23	Photocell transmitter	Seitenteil re		4904R0211	A			Stck./pc.	1		
	Photocell receiver	Seitenteil li		4904R0283	A			Stck./pc.	1		
24	Cable Duct cpl	L=2000		8120R0049	A			Stck./pc.	4		
25	Spring Suspension			4521R1090	A			Stck./pc.	6		
26	Sliding rail			4101R0006	A			m	24		
27	Rope pulley			5003R0001	A			Stck./pc.	8		
28	Choise label emergency lever			8020R0004	A			Stck./pc.	1		
29	Door label			6404R0004	A			Stck./pc.	1		

(*)

Panel Door Blade Type 1

Paneelbehang Typ 1



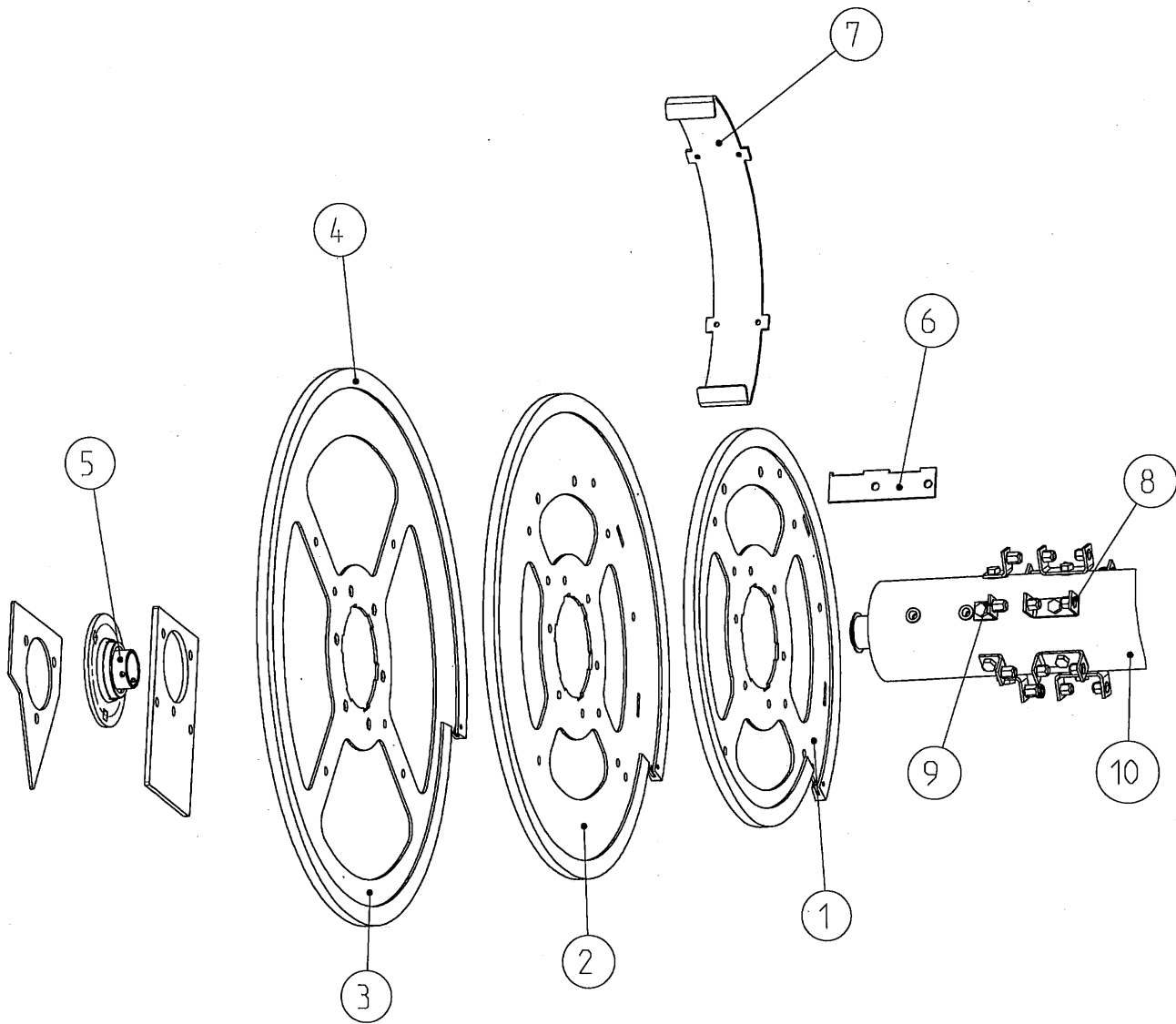
RR 3000, 2

Pos. Item	Description	Bemerkung Note	gültig ab ▲ gültig bis valid from ▲ valid to	Art.-Nr. Item-No	Delivery time class	ALBANY DOOR SYSTEMS		Einheit Unit	Anzahl pro Tor Quantity per door	Verschleißteil part / Slitdetailje Wear
II	Panel Door Blade Type 1									
1	Top lamella, with intel sealing			8230RG032	A			m	1	
2	Lamella 1 with extension piece 1 - short			8230RG029	A			m	max 10	
3	Lamella 2 with extension piece 2 - middle			8230RG030	A			m	max 13	
4	Lamella 3 with extension piece 3 - long	H>3125		8230RG031	A			m	max 15	
5	Windowlamella 1 with extension piece 1 - short			8230RG033	A			m	max 8	
6	Windowlamella 2 with extension piece 2 - middle			8230RG034	A			m	max8	
7	Windowlamella 3 with extension piece 3 - long	H>3125		8230RG035	A			m	max 10	
8	Bottom lamella with rubber profile, without extension piece 4			8230RG036	A			m	1	
9	Extension piece 1, short			4521R0877	A			Stck./pc.	max 22	
10	Extension piece 2, middle			4521R0878	A			Stck./pc.	max 26	
11	Extension piece 3, long			4521R0879	A			Stck./pc.	max 30	
12	Extension piece 4 re, for bottom lamella			8150R0064	A			Stck./pc.	1	
13	Extension piece 4 li, for bottom lamella			8150R0065	A			Stck./pc.	1	
14	Clamping lug standard			4521R0966	A			Stck./pc.	max 78	
15	Clamping lug bracket 4	H>3250		4521R1028	A			Stck./pc.	max 2	
16	Connecting lug bracket 4	H<=3250		4521R1069	A			Stck./pc.	max 2	
17	Lamella sealing			4401R0014	A			m	200	
18	Sealing top lamella			4421RG011	A			m	6	
19	Bottom rubber profile			4401R0015	A			m	6	
20	Flat belt	L = H + 940		5105R0038	A			m	12	
21	Photocell transmitter RH	Vorl. LS li		4904R0211	A			Stck./pc.	1	
	Photocell receiver LH	Vorl. LS re		4904R0283	A			Stck./pc.	1	
22	Bracket pre running photocell RH			4521R0943	A			Stck./pc.	1	
	Bracket pre running photocell LH			4521R1023	A			Stck./pc.	1	
23	Activator Proximity switch RH			4521R0981	A			Stck./pc.	1	
	Activator Proximity switch LH			4521R0982	A			Stck./pc.	1	

Barrel complete

Wickelwelle kompl.

Vals komplett



RR 3000, 2

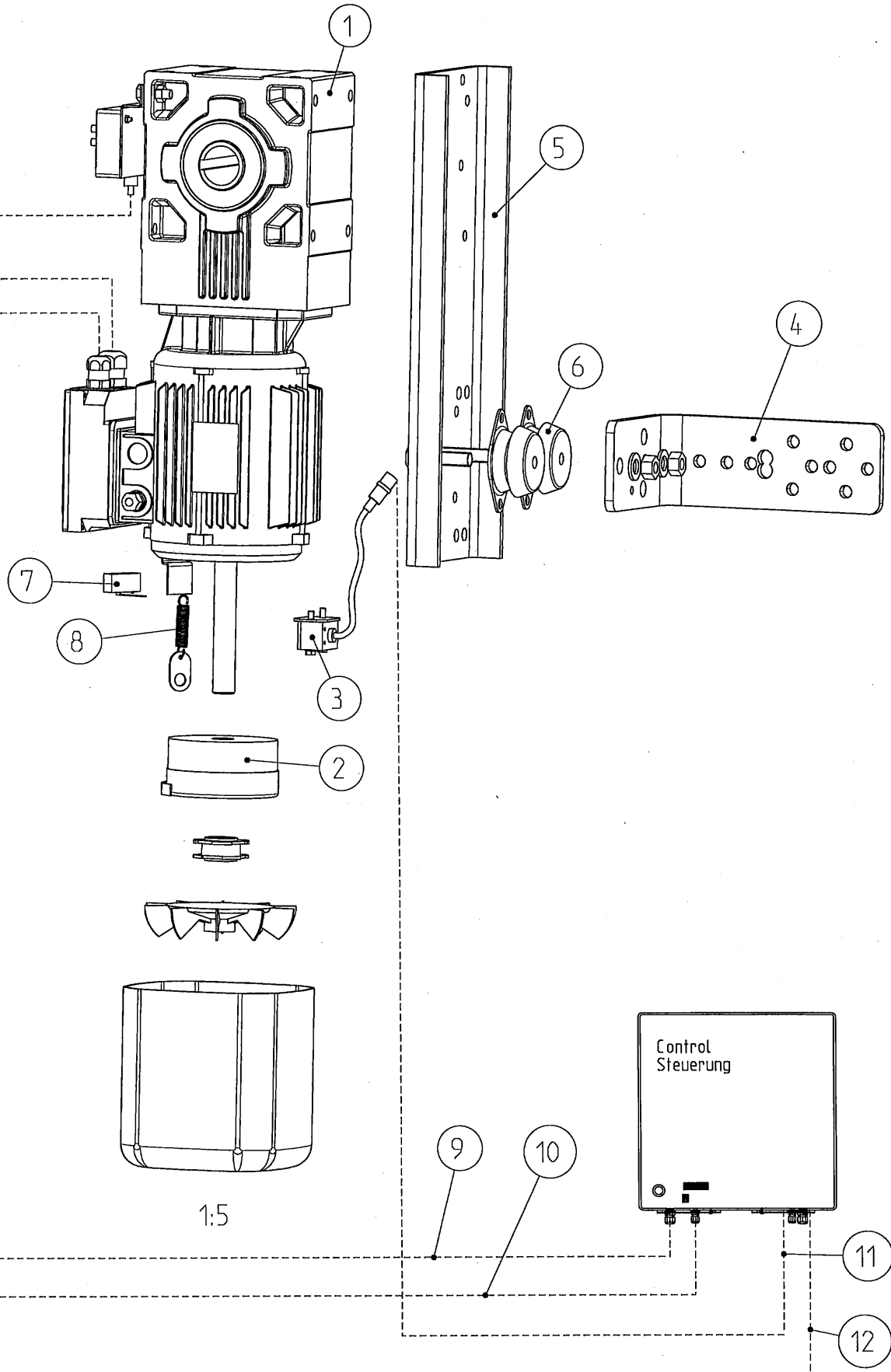


Pos. Item	Description	Bemerkung Note	gültig ab ▲ gültig bis ▼ valid from ▲ valid to ▼	Art.-Nr. Item-No	Delivery time class			Einheit Unit	Anzahl pro Tor Quantity per door	Verschleißteil part / Slitdetailje	Wear
III	Barrel cpl										
	Barrel cpl	H<=3250		8240RG100	C			Stck./pc.	1		
	Barrel cpl	H>3250		8240RG100	C			Stck./pc.	1		
1	Spiral disk 1			4521R0940	A			Stck./pc.	2		
2	Spiral disk 2			4521R0939	A			Stck./pc.	2		
3	Spiral disk 3 LH	H>3250		4521R1048	A			Stck./pc.	1		
	Spiral disk 3 RH	H>3250		4521R1047	A			Stck./pc.	1		
4	Dampener disks	L=1850		4401R0002	A			m	10		
5	Bearing d 35			8140R0060	A			Stck./pc.	2		
6	Brecket belt			4521R0953	A			Stck./pc.	2		
7	Winding plate			4521R0941	A			Stck./pc.	2		
8	U-Brecket			4521R0985	A			Stck./pc.	max 12		
9	Brecket cam			4521R0928	A			Stck./pc.	max 12		
10	Barrel without components			4521RG103	C			Stck./pc.	1		

Drive unit complete

Antrieb komplett

Motiv



Pos. Item	Description	Bemerkung Note	gültig ab ▲ gültig bis ▼ valid from ▲ valid to ▼	Art.-Nr. Item-No	Delivery time class	Einheit Unit		Anzahl pro Tor Quantity per door	Verschleißteil part / Slitdetailje Wear
IV	Drive unit cpl								
1	Gear motor 220-230 / 400-415 V 50 Hz - ACS 50	H>4000		6601R0083	A		Stck./pc.	1	
	Gear motor 220-230 / 400-415 V 60 Hz - ACS 50	H<=4000		6601R0010	A		Stck./pc.	1	
2	Brake 15Nm 180V DC HL			6622R0018	A		Stck./pc.	1	
3	Double Proximity switch			4905R0019	A		Stck./pc.	1	
4	Torque Arm			4521R0776	A		Stck./pc.	1	
5	Spindle-limit-switch cpl. for drive unit standard			4521R1096	B		Stck./pc.	1	
6	Spindle-limit-switch			5004R0041	A		Stck./pc.	2	
7	Microswitch			6621R0002	B		Stck./pc.	1	
8	Spring 2,2x11x48			4802R0004	A		Stck./pc.	1	
9	No.-cable 4x1,5			4907R0020	A		mm	1 pc	
10	Cable 2x0,75			4907R0018	A		mm	1 pc	
11	Cable 4x0,25 11,5m GY	5m<SL<=10m		4907R0026	A		Stck./pc.	1	
	Cable 4x0,25 21,5m GY	10m<SL<=20m		4907R0027	A		Stck./pc.	1	
	Cable 4x0,25 31,5m GY	20m<SL<=30m		4907R0028	A		Stck./pc.	1	
	Cable 4x0,25 6,5m GY	SL<=5m		4907R0025	A		Stck./pc.	1	
12	Junctionbox 9plug 11,5m cable	5m<SL<=10m		4906R0028	A		Stck./pc.	1	
	Junctionbox 9plug 21,5m cable	10m<SL<=20m		4906R0029	A		Stck./pc.	1	
	Junctionbox 9plug 31,5m cable	20m<SL<=30m		4906R0030	A		Stck./pc.	1	
	Junctionbox 9plug 6,5m cable	SL<=5m		4906R0027	A		Stck./pc.	1	

Legend	
1	
S	No automatic price calculation
Delivery time	
A	Within 24 hours
B	2-3 Workdays
C	5-8 Workdays
D	10-14 Workdays
Wear parts	
	x = Standard wear with time/use

