

## Mechanical Install & Owner's Manual



## STATEMENT OF WARRANTY

### ThermaChill / ThermaFreeze

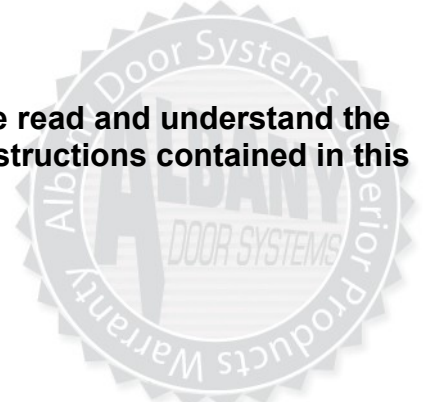
#### ONE-YEAR WARRANTY ON MECHANICAL AND ELECTRICAL COMPONENTS

- **Albany Door Systems** warrants to the original owner of the door that the mechanical and electrical components will be free from defects in material and workmanship for a period of **one (1) year** from the date of shipment.
- Only defects brought to the attention of **Albany Door Systems** during the warranty period will be covered by this warranty.
- **Albany Door Systems** will replace component parts covered by this warranty, which are found to be defective upon inspection by an **Albany Door Systems** representative. Installation or use of parts other than those authorized by **Albany Door Systems** will void this warranty.
- PARTS AND ASSEMBLIES sold separately by **Albany Door Systems** that fail due to defects in material or workmanship within **ninety (90) days** from the date of shipment will be replaced under warranty provided installation has been carried out in accordance with all **Albany Door Systems** procedures. This warranty is limited to providing a replacement part only. This warranty does not cover freight, special charges, or any costs associated with the installation of the replacement part.
- This warranty covers material failure under normal wear conditions; it does not cover damage caused by collision or other abuse of the product. Adjustments made to the control panel or to the mechanical operation of the door without the authorization of **Albany Door Systems** will void this warranty. Any changes made to product configuration without the express written approval from Albany Door Systems may null and void this warranty.
- **Albany Door Systems'** obligations under this warranty are limited to repairing or replacing the defective part including labor and **Albany Door Systems** shall not be responsible for any other losses or damages due to the operation of any door or parts covered by this warranty. Warranty parts will be shipped regular ground freight at the expense of Albany Door Systems.
- This warranty shall be void in its entirety if the failure of any product shall be caused by any installation, operation, or maintenance of the product which does not conform with the requirements set forth by the seller in the applicable product manuals or is in the result of any cause other than a defect in the material or workmanship of the product.
- No other oral or written representations made by **Albany Door Systems** or its agents are a part of this warranty unless specifically set forth in writing by an authorized **Albany Door Systems** official.

**THE ABOVE SET FORTH WARRANTY IS SELLER'S SOLE WARRANTY. SELLER MAKES NO OTHER WARRANTY OF ANY KIND WHATSOEVER, EXPRESSED OR IMPLIED; AND ALL IMPLIED WARRANTIES OF MERCHANTABILITY AND FITNESS FOR A PARTICULAR PURPOSE WHICH EXCEED THE AFORESTATED OBLIGATION ARE HEREBY DISCLAIMED BY SELLER AND EXCLUDED FROM THIS AGREEMENT.**

#### WARNING

**Do not install, operate or service the product unless you have read and understand the safety practices, warnings, installation and maintenance instructions contained in this manual.**



## INTRODUCTION

The contents of this manual are designed to help you install and setup Albany UltraLite-LP™ high speed doors. **DO NOT operate or perform maintenance on the high speed door unless you have read through the instructions in this manual.**



The safety alert symbol is used to identify safety information about hazards that can result in personal injury. A signal word (DANGER, WARNING, or CAUTION) is used with the safety alert symbol to indicate the likelihood and the potential severity of injury. In addition, a hazard symbol may be used to represent the type of hazard.



**DANGER** indicates a hazard that, if not avoided, will result in death or serious injury.



**WARNING** indicates a hazard that, if not avoided, could result in death or serious injury.



**CAUTION** indicates a hazard that, if not avoided, might result in minor or moderate injury.



**CAUTION**, when used without the alert symbol, indicates a situation that could result in damage to the door.



**NOTICE** is used to inform you of a method, reference, or procedure that could assist with specific operations or procedures.

Other symbols that may be used in this manual are:



Lock Out / Tag Out



Crushing



Fire



Shock



Read Manual

# DOOR INSTALLATION

## ⚠ WARNING

Improper installation of anchoring devices or installation into aged or unsound concrete block, or other wall material may result in premature wear, product failure, property damage, or serious personal injury.

## ⚠ WARNING



Lock-out tag-out all electrical power supplied to the door before making any electrical installations or connections. Also Lock-out tag-out any equipment near the installation site if that equipment may be inadvertently operated into the area used to assemble and install the door. Failure to properly de-energize electrical circuits and disable equipment during installation and/or maintenance could result in death or serious injury.

## ⚠ WARNING



Use proper lifting equipment and techniques. Properly secure all loads. Failure to properly secure all lifting loads could result in death or serious injury.



Secure the work area so that persons not working directly on the installation do not enter the work area.

## SITE PREPARATION

### Electrical Supply

Qualified electrician must make all electrical mountings and connections in accordance with all applicable regulating body(s) electrical codes and standards. See applicable electrical manual for specifications and wiring instructions.

### Door Opening

1. Are the door jambs and support wall structurally sound providing a flat surface for the side columns to mount against?
2. Check the width and height of the door opening and verify the measurements against the dimensions of the door.
3. Is the opening square? Plumb?
4. Is the floor level across the opening?

Make all necessary structural repairs and improvements to provide a "yes" answer to each of the questions above.

## TOOLS AND MATERIALS REQUIRED

### Personnel

- Two people to install the door
- One person qualified to operate forklift, hoist, or crane
- One electrician to install and connect the control panel and all electrical wiring

### Tools

- Assorted wrenches
- Tape measure
- Carpenter's square
- Level (4ft minimum recommended)
- Lifting device (fork lift, hoist, crane)
- Lifting Straps
- 2 ladders or personnel lifts (tall enough to reach above the door head)
- Other tools as needed for the type of anchoring chosen

### Materials

- Anchors appropriate for the type of wall the door and accessories are to be installed onto. Albany Doors recommends through-bolting doors whenever possible.
- Wire as specified on the electrical schematic
- Electrical supplies needed to comply with all regulating body electrical codes and standards.

## UNPACKING AND PREPARING

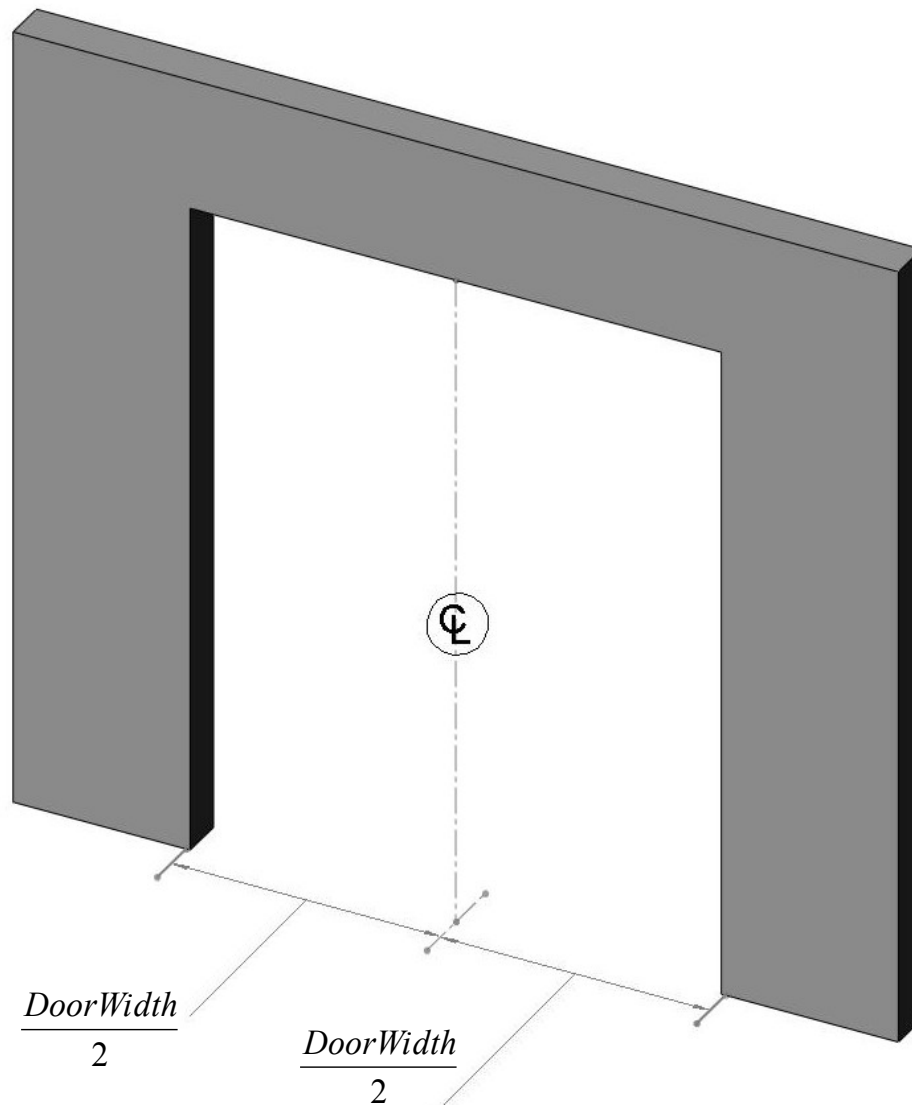
1. Inspect and unpack the components. Report any damage immediately to Albany at (262) 268-9885. Refer to the serial number tag located on the right door column.
2. DO NOT cut the banding which holds the door in a roll until instructed to do so in a later procedure.

## CAUTION

The door panel and roll assembly could be damaged. Use evenly spaced padded supports to prevent rips, tears, or bending of the roll assembly. Failure to protect the roll assembly could result in damage to the door.

## INSTALLATION REFERENCE MARKS

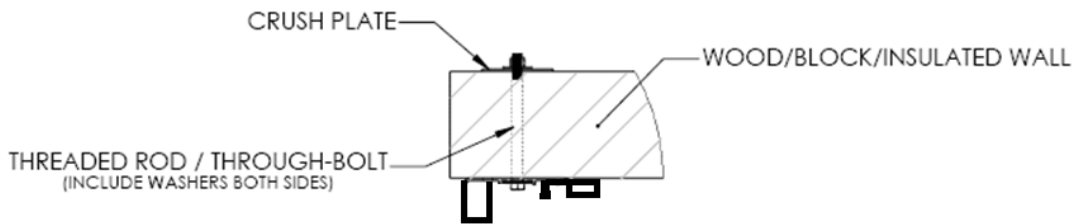
1. Measure from the inside of the left door jamb to the inside of the right door jamb and place a mark on the floor on the door opening centerline.
2. Reference the door's documentation and place two marks on the floor at  $\frac{\text{DoorWidth}}{2}$  to the left and to the right of the door opening centerline.
3. Measure the distance between the two new marks. The correct distance should be equal to the ordered door width.



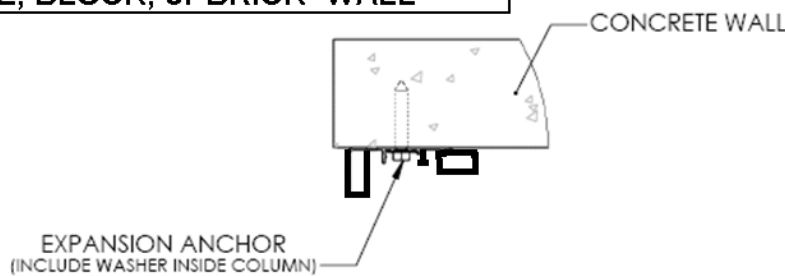
## WALL ANCHORING GUIDE

Albany Doors does not supply hardware for mounting the door to the wall. Use proper hardware best suited for each particular door installation. Some examples are shown below. It is the responsibility of the door owner to ensure that the wall material is strong enough to support the forces of the door and all anchoring hardware. In general, Albany Doors recommends through-bolting whenever possible using 1/2 inch diameter bolts/threaded-rods or 1/2 inch diameter concrete expansion anchors.

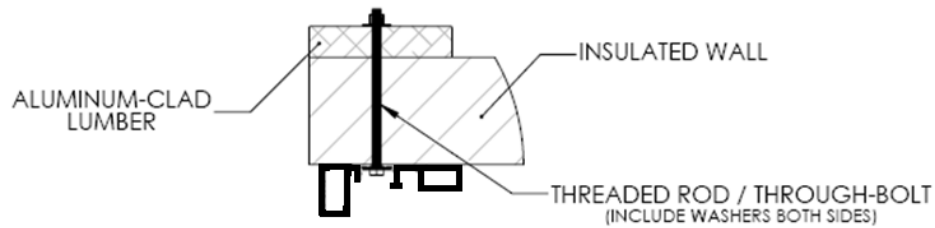
### WOOD, BLOCK, BRICK, or INSULATED WALL



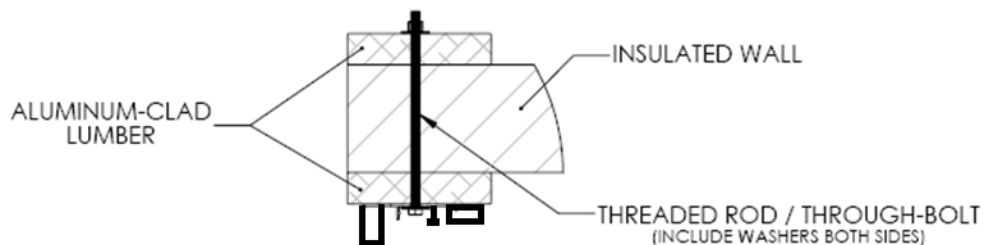
### CONCRETE, BLOCK, or BRICK WALL



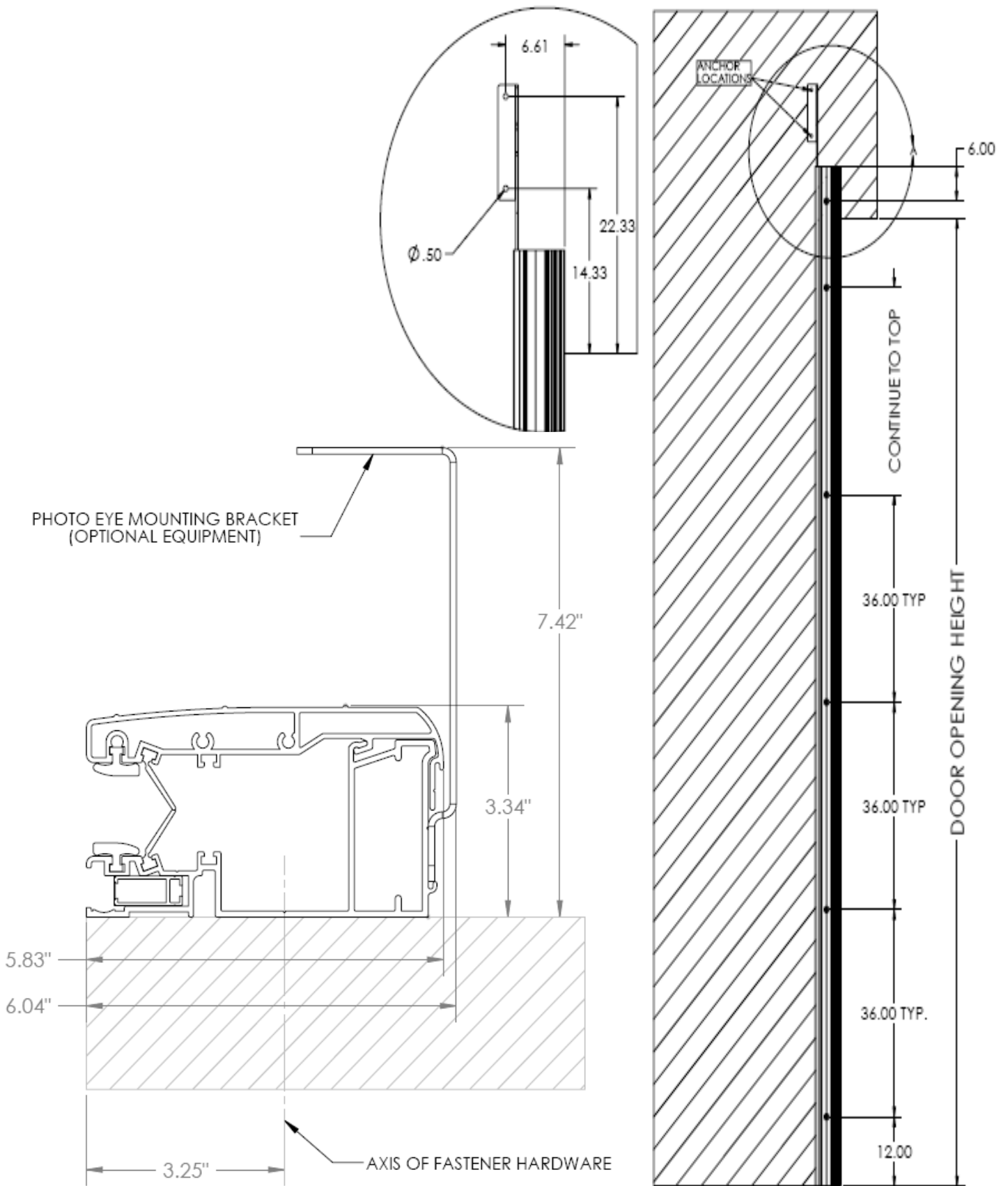
### INSULATED WALL



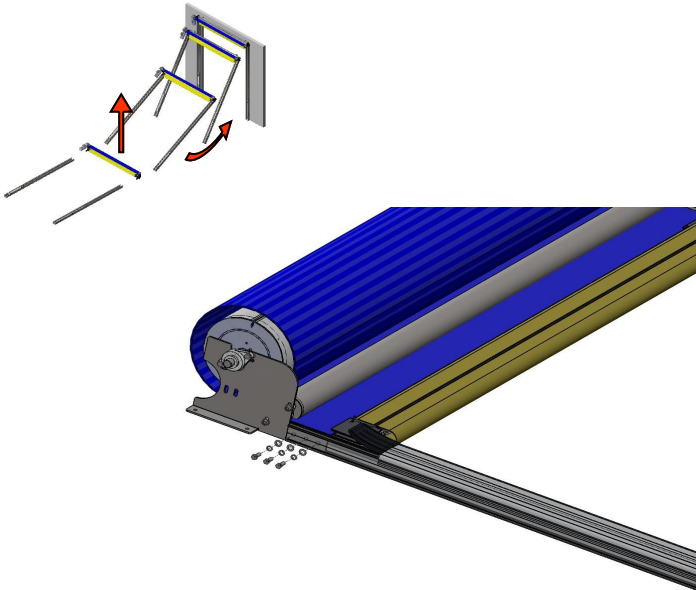
### INSULATED WALL



**DOOR JAMB DETAIL**



## MOUNTING THE DOOR ASSEMBLY (optional methods shown)

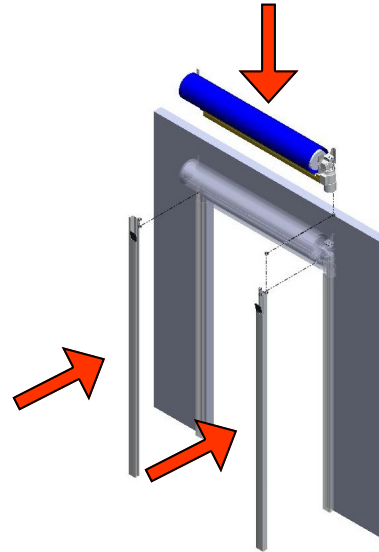


### ASSEMBLE ON FLOOR

1. Lay the head assembly on its back on the floor in a clean area in front of the door opening.
2. Slide each side column onto the head assembly. Install the three 3/8" flat washers, lock washers, and 3/8"x1" bolts in each bracket.
3. Using a safe lifting device, carefully lift the entire door assembly up to a vertical position against the door jambs.
4. Hold the left side column in place against the wall. Align the base with the marking placed on the floor earlier and bring the column into plumb.
5. Drill and prepare the holes in each side column and anchor as needed (see page 6 for hole locations).
6. Loosely install the anchors, recheck for plumb, and tighten the anchors.
7. Repeat steps 4-6 for the right side column. See next page for final steps.



The head assembly is heavy. Use proper lifting devices and techniques to securely and safely lift the head assembly. Failure to properly secure the head assembly could result in death or serious injury.



### ASSEMBLE ON WALL

1. Hold the left side column in place against the wall. Align the base with the marking placed on the floor earlier and bring the column into plumb.
2. Drill and prepare the holes and anchor as needed (see page 5 for hole locations).
3. Loosely install the anchors, recheck for plumb, and tighten the anchors.
4. Repeat steps 1-3 for the right side column.
5. Install the top roll seal as shown on the next page.
6. Using a safe lifting device, carefully lift the head roll assembly up into position above the side columns.
7. Slide each corner bracket of the head assembly into the slot provided in its associated side column. Install the three 3/8" flat washers, lock washers, and 3/8"x1" bolts in each bracket.
8. See next page for final steps.



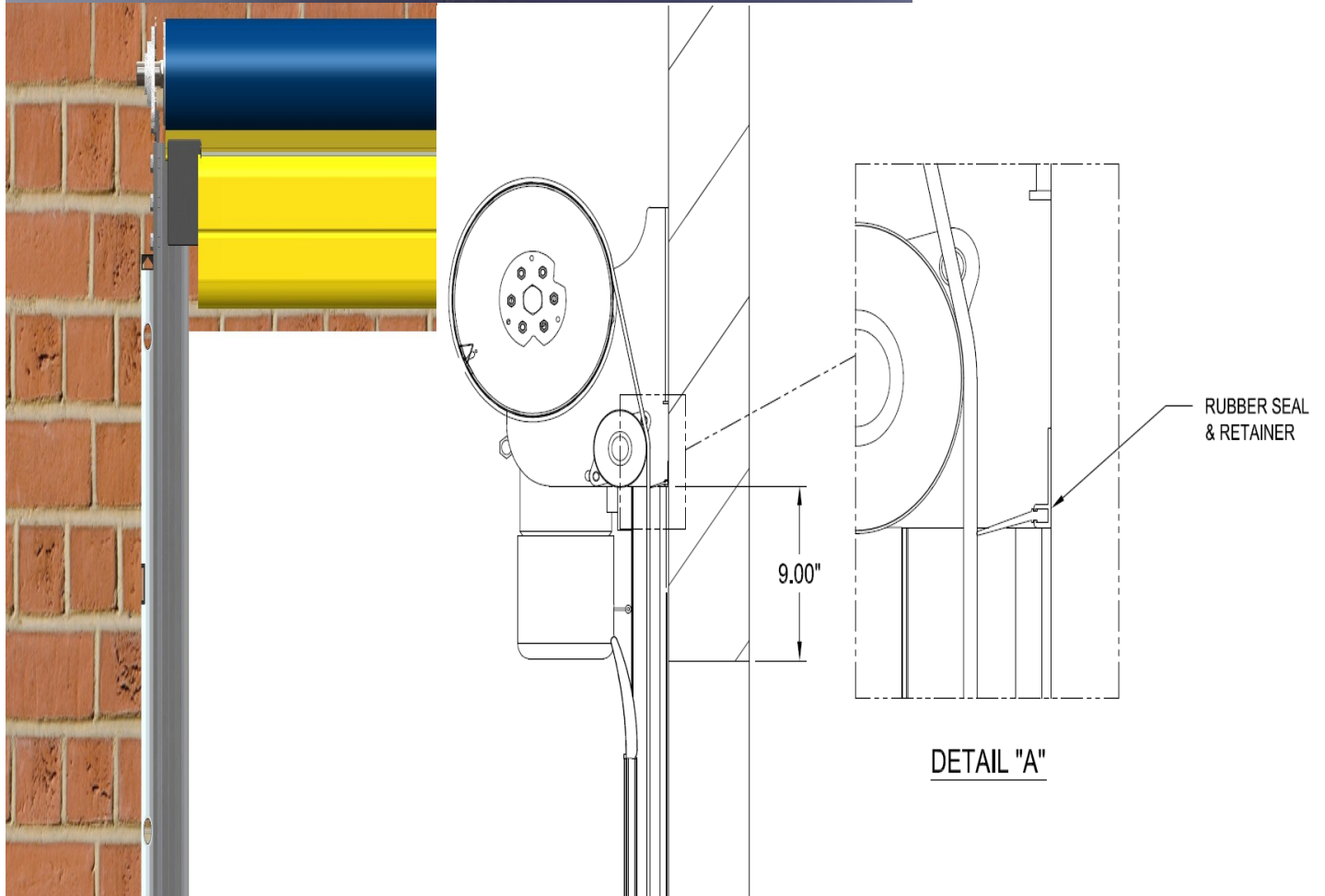
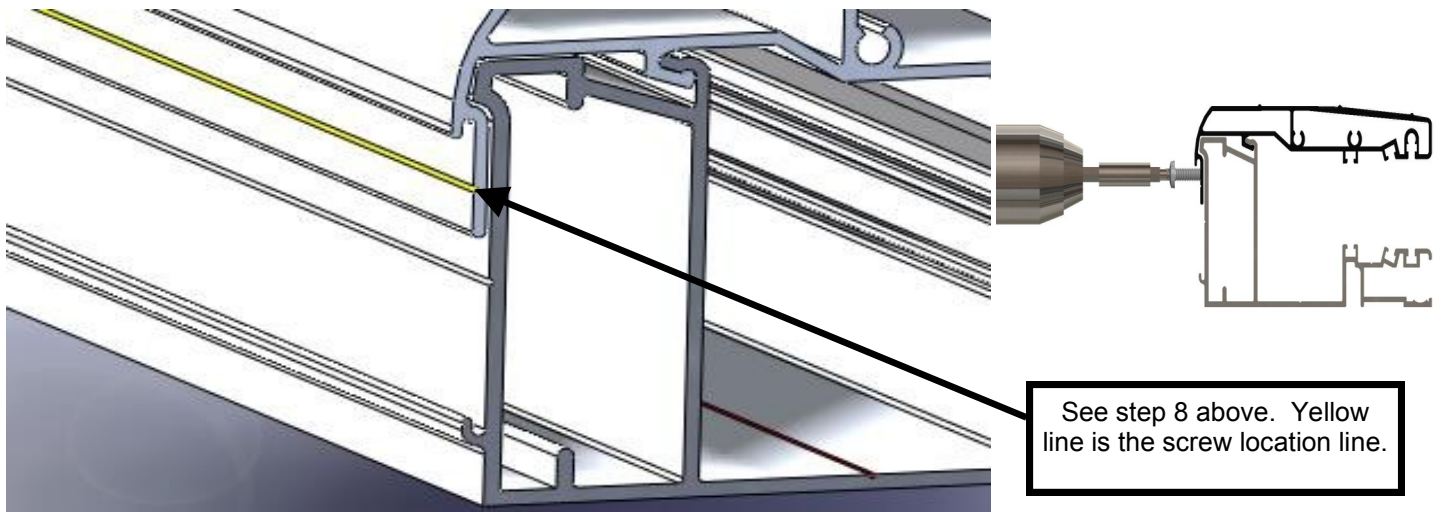
The head assembly is heavy. Use proper lifting devices and techniques to securely and safely lift the head assembly. Failure to properly secure the head assembly could result in death or serious injury.

### CAUTION

The head assembly must be lifted level (balanced) and with the mounting brackets and motor hanging straight down. Failure to properly position the head assembly could result in damage to the mounting brackets and/or the side columns.

## MOUNTING THE DOOR ASSEMBLY (for both wall and floor assembly)

8. Attach the front member of the side columns to the rear member at 36" intervals through the screw positioning line in the aluminum using the self-drilling screws provided.
9. Install the header seal to the wall as shown below. Removal of the bottom bolts in the idler barrel bearing and pushing the idler up will be required to install the seal. Anchoring hardware will be determined by wall type.
10. Caulk door jambs to seal the opening when finished.
11. See the accompanying electrical manual for wiring of the door and control.



## **Periodic Maintenance**

Albany Door Systems high speed doors are engineered for low maintenance operation. The door should be visually inspected daily for wear and tear, and operated to verify functions. Quarterly maintenance should be performed to clean components and to check all safety functions and check for mechanical and electrical integrity.

### **Daily Inspection**

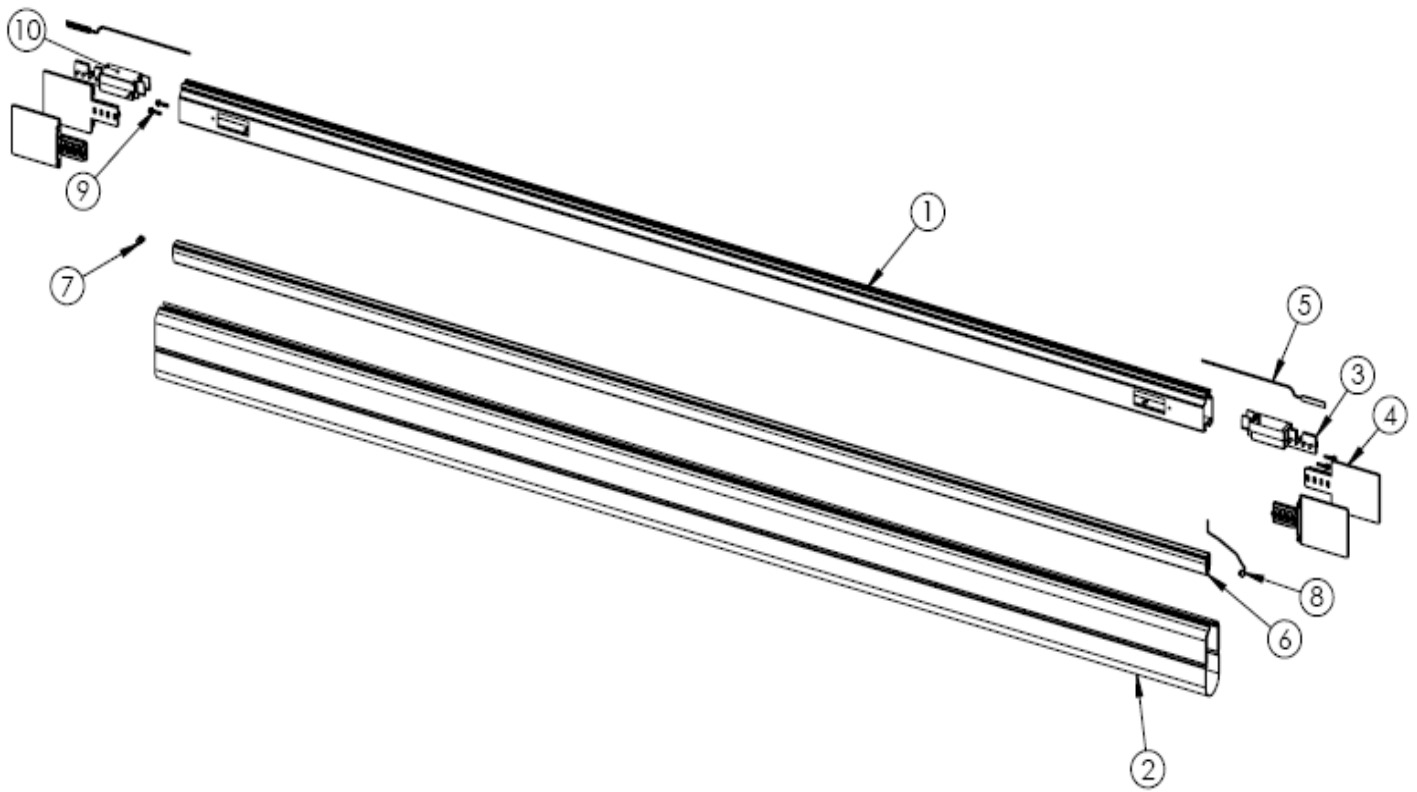
1. Inspect the door fabric for wear or damage.
2. Operate the door through several openings and closings. Verify that the door seats against the floor and that the door fabric remains tight and does not wrinkle. Verify that the door opens fully, slightly beyond the wall opening, and does not open too far.
  - If the door does not seat against the floor properly or opens to the wrong position, refer to “Setting Door Limit Adjustments”.
  - If the door fabric has diagonal wrinkles the door fabric roll at the top of the door is not level and perpendicular to the side rails. Leveling adjustments should be made as soon as possible to prevent wear or damage. Refer to the installation instructions or contact Albany Door Systems.
3. With the door closing, place an object through the light curtain, or photoeyes, on each side of the door. Verify that the door stops immediately.
4. If a multiple panel door is installed, check at each end of the ribs to verify that they are in place and centered.
5. Inspect the coiled electrical wire for wear or damage if equipped.
6. Check the light curtain slots for dirt or dust accumulation and clean as necessary.



7. While the door is closing, tap the bottom of the door edge wand verify that the door stops and reverses to a fully open position.

**Do not stand under the door when performing the following inspection. If the bottom bar reversing switch is not functioning correctly injury can occur.**

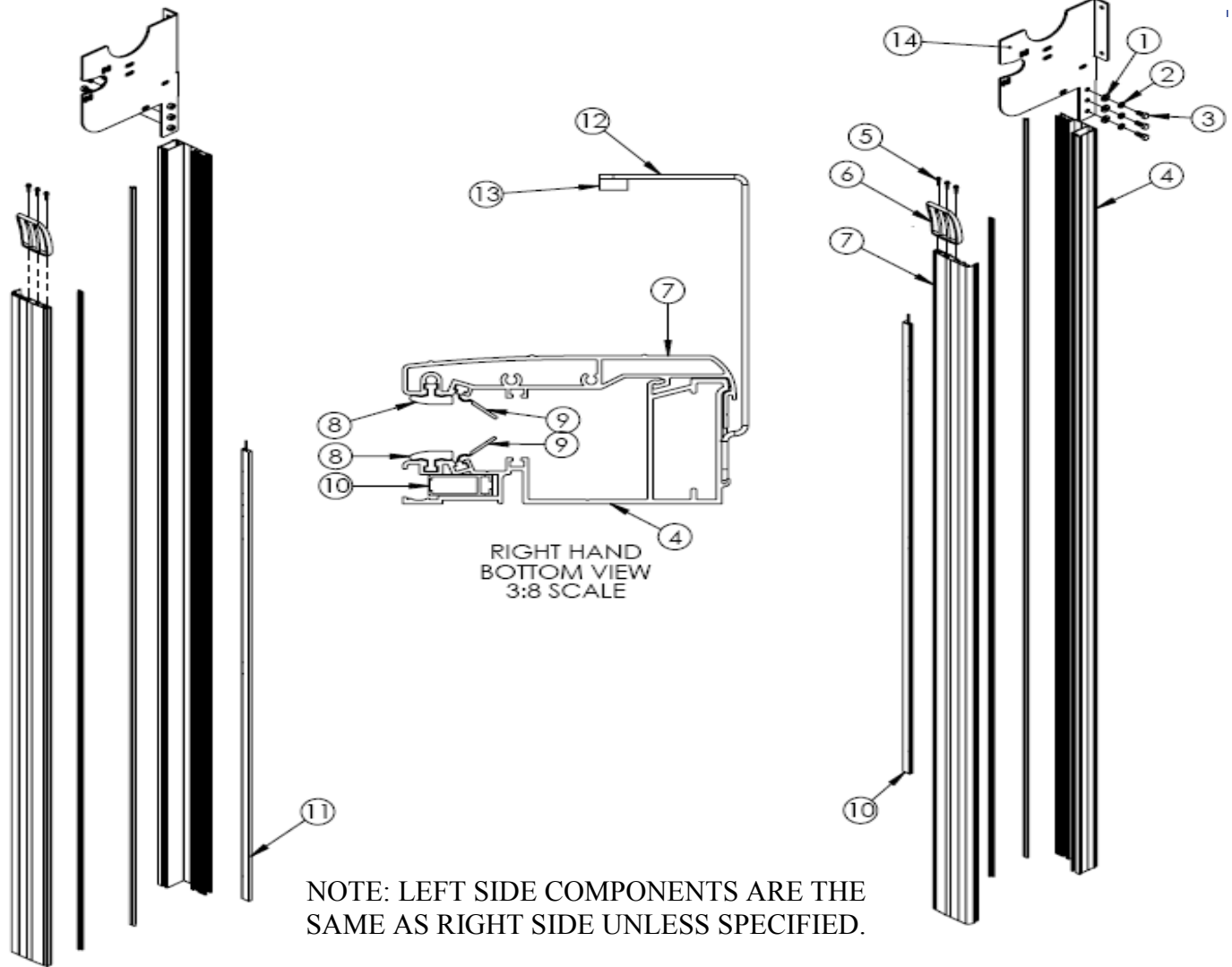
8. Perform daily inspection.
9. Check all mounting hardware and verify that all nuts and bolts are tight. Hardware includes: wall anchors, cover hardware, motor mounting hardware, and bearing bolt nuts.
10. Check the break away function by performing the following steps:
  - Stop the door so the bottom rail is between waist and chest high.
  - Push the bottom bar out of one of the side columns.
  - Press the open key pad and verify that the door opens to the break away opening height and that the bottom bar centers in the side rails.
  - Press the close key pad and verify that the bottom rail is centered and the door closes fully.
11. Inspect all side and top weather seals for wear or damage.



ITEM #	PART NUMBER	DESCRIPTION	QTY
1	CONSULT FACTORY	BOTTOM BAR EXTRUSION	1
2	4050T0023	BOTTOM BAR LOOP SEAL	1
3	000675	BLOCK, ENDCAP, BOTTOM BAR	1
4	000749	BREAKAWAY TAB	4
5	000967	3.5" BREAKAWAY SWITCH LOW SENSITIVITY	2
6	001180	REVERSING EDGE CONDUCTIVE EXTRUSION GE245TK	1
7	001292	PLUG, SAFETY EDGE, 68.1KOhm	1
8	001005	PLUG, SAFETY EDGE WITH CABLE	1
9	000036	BOLT HHC 1/4 -20 X 1	4
10	000771	RF BOTTOM BAR UNT	1

LEFT SIDE

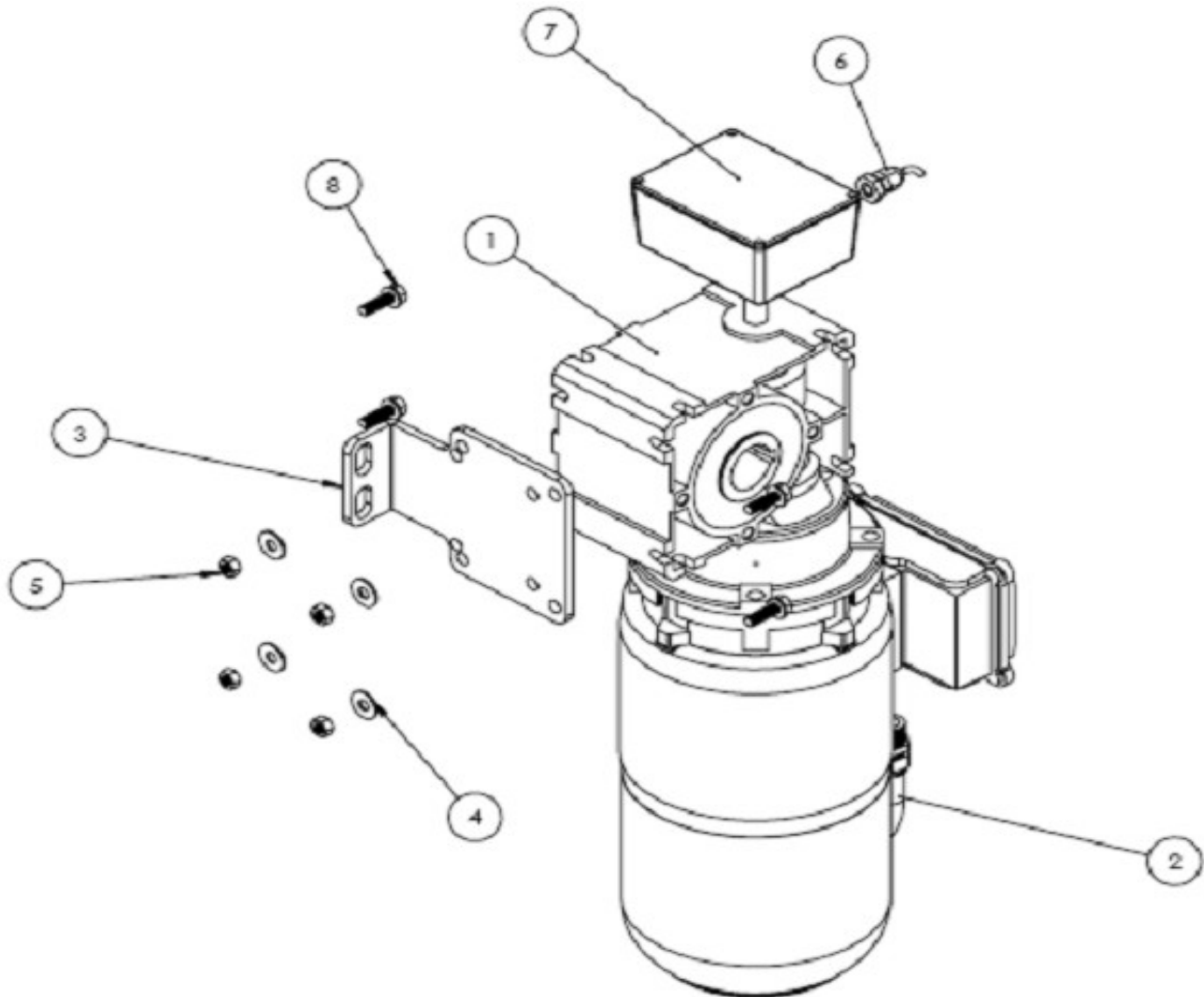
RIGHT SIDE



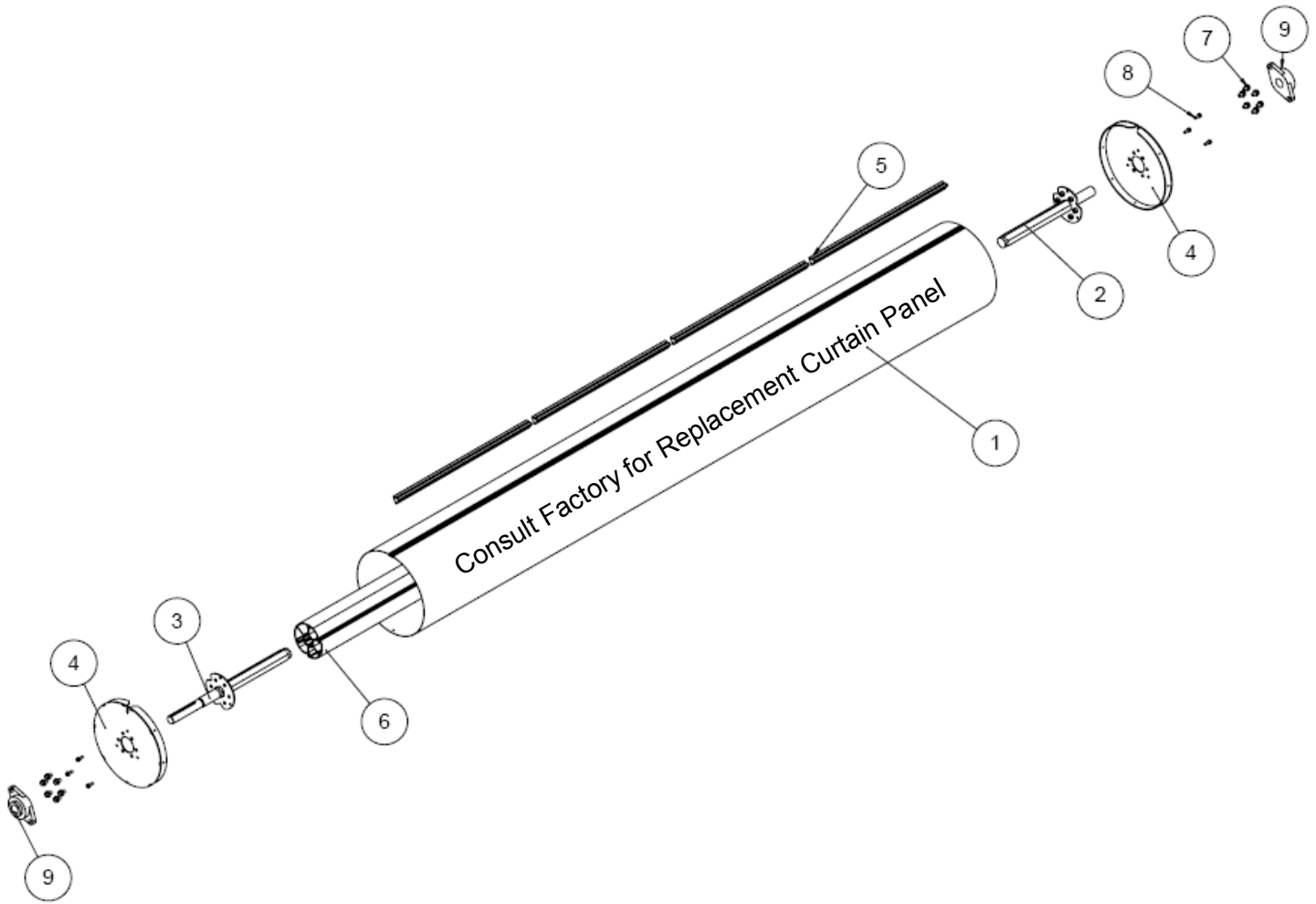
ITEM #	PART NUMBER	DESCRIPTION
1	001412	WASHER FLAT 1/2"
2	000420	WASHER LOCK 1/2"
3	000097	BOLT HHC 1/2-13X1.00"
4	CONSULT FACTORY	SIDE COLUMN LP REAR EXTRUSION
5	000036	BOLT HHC 1/4 -20 X 1
6	001418	RETRACT FLAP, CENTERED HOLES
7	CONSULT FACTORY	SIDE COLUMN LP FRONT EXTRUSION
8	000822	GLIDE STRIP, 16FT LENGTH
9	001762	FRONT COLUMN SEAL LOW ANGLE
10	001198	LIGHT CURTAIN TRANSMITTER
11	001199 OR 001197	LIGHT CURTAIN RECEIVER
12	001430	PHOTO EYE BRACKET
13	001293	PHOTO EYE TRANSMITTER AND RECEIVER SET
14	4521T0426(RT) 4521T0427(LT)	INSULATED DOOR END PLATE ASSEMBLY

Optional Side Frame Heat Tape

Not shown	000508	Heat Tape 110V (must be assembled w/ item below)	DH+9"
Not shown	001088	16Ga-2C SO Cord	



ITEM NO.	PART NUMBER	DESCRIPTION	Qty
1	CONSULT FACTORY	GEAR REDUCER	1
2	CONSULT FACTORY	MOTOR CABLE	1
3	000766	TORQUE ARM, NORD, RH	1
4	000520	5/16" FLAT WASHER ZINC	4
5	000091	NUT, HEX NYLON LOCK, 5/16-18	4
6	000336	ENCODER CABLE	1
7	000079	ENCODER SUB-ASSEMBLY	1
8	000090	5/16-18 X 1 HEX WASH SERR. FLANG SCREW GR5.1 ZINC	4



ITEM #	PART NUMBER	DESCRIPTION	QTY.
1	4521T0423	SHEETMETAL DRUM SKIN	1
2	4521T0430	INSULATED DOOR NON-DRIVE AXLE ASSEMBLY	1
3	4521T0429	INSULATED DOOR DRIVE AXLE ASSEMBLY	1
4	4521T0424	DRUM END CAP ASSEMBLY	2
5	4521T0425	INSULATED DRUM RETAINER	4
6	CONSULT FACTORY	LIGHTWEIGHT DRUM EXTRUSION PROFILE	1
7	000415	3/8-16 X 1 HEX HEAD SERRATED FLANGE SCREW 18.8 S/S	12
8	000036	SCREW TAP-TITE 2 HEX WASHER-HEAD 1/4-20 X 1.00" LG	6
9	000030	SHAFT BEARING	2

# INSTALLATION CHECKLIST

*Please fill out below and return to Albany Door Systems*

Customer: \_\_\_\_\_ Installation Date(s): \_\_\_\_\_

Location: \_\_\_\_\_ Door Serial #(s): \_\_\_\_\_

Contact: \_\_\_\_\_ Contact Phone #: \_\_\_\_\_

Install Company: \_\_\_\_\_ Contact & Phone #: \_\_\_\_\_

**Mechanical Installation (All Doors):**

**Yes    No**

- Is the door secured to the wall using thru-bolts? \_\_\_\_\_
  - If No, what type of anchors were used? \_\_\_\_\_
- Are the side columns plumb? \_\_\_\_\_
- Is the door caulked or sealed to the wall? \_\_\_\_\_
- Are there any visible gaps between the door and the wall? \_\_\_\_\_
  - If “No” the above, did the customer contact approve of door to wall seal? \_\_\_\_\_
- Is there any visible damage to the door? \_\_\_\_\_
  - If Yes, what is the damage: \_\_\_\_\_
  - Was Albany Customer Service notified of the damage? \_\_\_\_\_
  - Was the customer contact notified of the damage? \_\_\_\_\_

**Electrical Installation:**

**Yes    No**

- Were the factory supplied cables (motor, encoder & etc.) cables long enough? \_\_\_\_\_
  - If No, which cables were too short? \_\_\_\_\_
  - If No, was Albany Customer Support contacted and new cables sent? \_\_\_\_\_
- Were the schematics easy to read for electrical hook-up? \_\_\_\_\_
- What type of conduit was used to route the cables to the door? \_\_\_\_\_
- Is the conduit routed to the bottom of the control box? \_\_\_\_\_
  - If “No” did the customer approve this? \_\_\_\_\_
  - If “No,” why? \_\_\_\_\_
  - If “Yes,” who was the customer contact that approved? \_\_\_\_\_





Albany Door Systems - A Company of Albany International Corp. All Rights Reserved  
1080 Maritime Drive, Port Washington, WI 53074 - 975-A Old Norcross Road, Lawrenceville,  
GA 30046

---